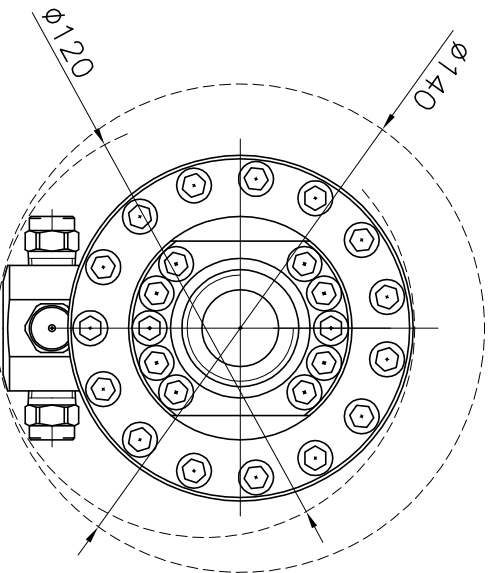


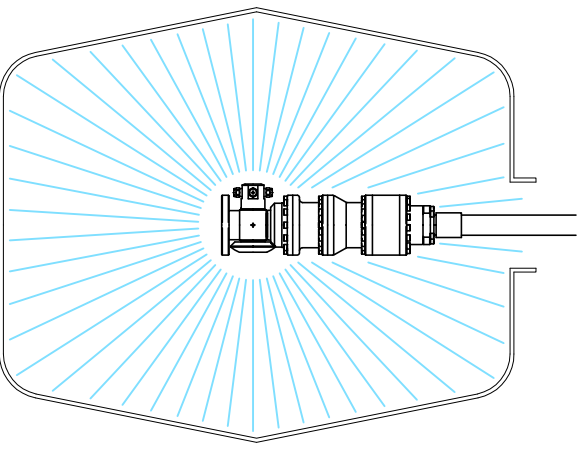
356



TECHNICAL DATA

O.RING	NBR - EPDM - VITON
SLIPPER	PIFFE+CARBON FIBRE
BUSHING	AISI 316
FILTER	700 MICRON
NOZZLES POSITIONS	2 - 4
NOZZLES THREAD	1/4"NPT (URACA TYPE N)
TESTING NOZZLES	0 x 0000
OPERATING FLOW RANGE	60 - 400 L/min
TESTING FLOW	00 L/min
OPERATING PRESSURE RANGE	5 - 400 bar
TESTING PRESSURE	000 bar
CENTER LINE MIN PASS THROUGH HOLE	140 mm
MANUAL MIN PASS THROUGH HOLE	120 mm
MAX OPERATING TEMPERATURE	90 °C
MATERIAL	INOX AISI 316
CONICAL GEARS	FIXED Z=71 ROTATING Z=73
MODULE	1
DIFFUSER SPEED SETTING OPENINGS	5
TESTING DIFFUSER OPENINGS	X/X/X/X/X
ROTATION SPEED	SEE CHART
FULL CYCLE	73 ROTATIONS
FULL CYCLE TIME	4.5 min AT 16 RPM
WEIGHT	12.6 KG

FLOW L/MIN	DIFFUSER OPENINGS					
	3	3/6	3/6/9	3/6/9/12	3/6/9/12/15	
60	12					
90	16	9				
120	18	12				
150		16	9			
180		18	12			
210			16	9		
240			18	12		
270				16	9	
300				18	12	
330					16	
360					18	
400					22	



RUGOSITA' (UNI 4600)	MODIFICA	1	2	3	4	5
FOGLIO	XXXX					
DATA	XX.XX.XX					
GREZZO	TOLLERANZE GENERALI classe m UNI-EN 22768/1					
$\sim = \phi$	0 $\pm$ 6	6 $\pm$ 30	30 $\pm$ 120	120 $\pm$ 400	400 $\pm$ 1000	1000 $\pm$ 2000
SGROSS	$\pm$ 0.1	$\pm$ 0.2	$\pm$ 0.3	$\pm$ 0.5	$\pm$ 0.8	$\pm$ 1.2
$\nabla = \sphericalangle$						
FINITURA 1,6/	MATERIALE: INOX AISI 316 + PEEK					
$\sphericalangle = \sphericalangle$						
RETTIFICA 0,8/						
$\sphericalangle = \sphericalangle$						
DESCRIZIONE: INSTALLATION DRAWING MW 440A	DISSEG. : CR   CONTR. : DM					
	DATA: 11.06.12					
	SCALA 1:1					
	A3					
	O					
	MOD.					
	CODICE: MW 440 A					

